

AUTOMOTIVE-GRADE

GL351X

DAB/DAB+/DMB-Audio Dual Baseband & Audio Processor



- Highly integrated Dual Baseband and audio decoder which supports various audio formats
- Supports seamless switching; between DAB, DAB+, and FM

• RF Interface

- Digital I/F support through I2S
- Analog I/F support (Low-IF)

• Dual Demodulator

- DAB (ETSI EN 300 401), DAB+ (ETSI TS 102 563)
- All transmission mode support, mode I, II, III, IV
- Fast sync acquisition
- Two Diversity support (GL3512D Single DAB mode)

• Host Interface

- I2C, UART, Multi-IO SPI

• Service Following Engine

- Seamless DAB to FM (GL3512D, GL3511S)
- Seamless DAB to DAB Service Following (GL3512D)

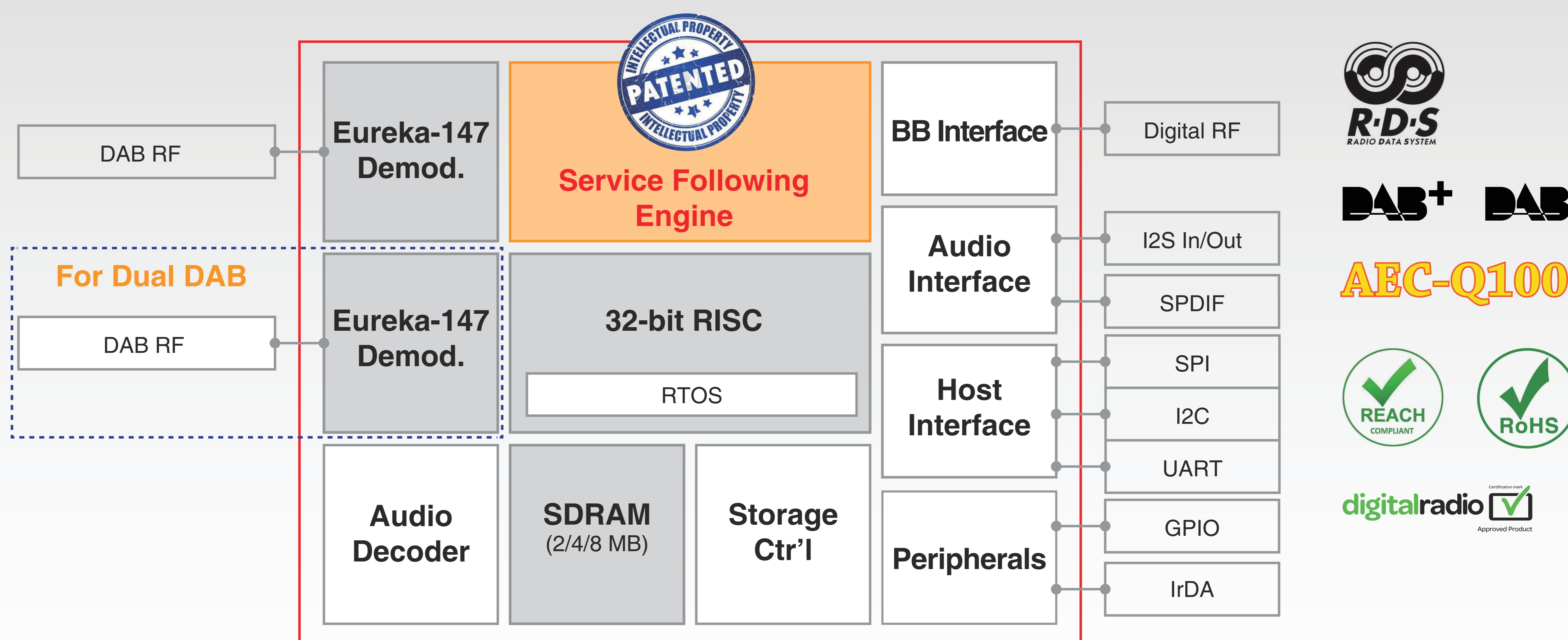
• High-Performance TII Decoder

- Supports Region based Announcement
- Supports Faster Service Following

• Power Consumption

- 72mW (Dual DAB+ case)

Block Diagram



Application

- **Automotive**
 - Before Market (AVN, Car Audio, etc.)
 - After Market
- **Accessories**
- **Hand-held, Portable Radios**

Items	GL3512D	GL3511S	GL3510C
PKG	169B, 11mm * 11mm (0.8 pitch)		161B, 8x8 mm2
Service Following	Seamless DAB to FM & DAB to DAB	Seamless DAB to FM	DAB to FM
SDRAM	8MB	4MB	2MB
Baseband	Dual	Single	Single